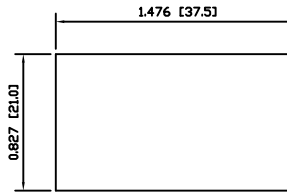
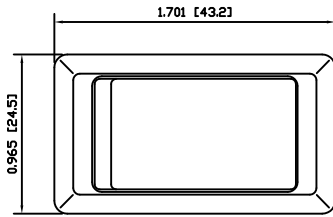


SUGGESTED PANEL CUTOUT



MATERIALS

- BODY: Polyamide 6/6 (PA66), UL94 V-2
- ACTUATOR: Polyamide 6/6 (PA66), UL94 V-2
- SEALING MEMBRANE: Polyvinyl Chloride (PVC)
- SPRING: Plano Wire
- MOBILE CONTACT BAR: Copper
- CONTACT PADS: Silver Clad Copper
- RIVETS: Copper
- TERMINALS: Brass

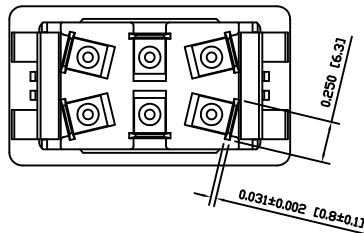
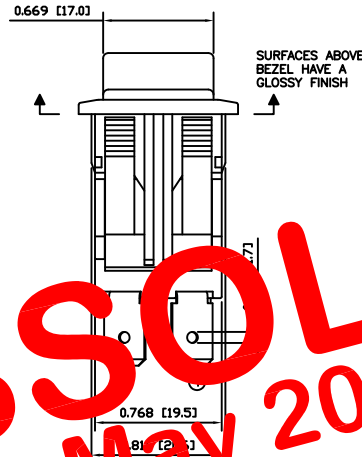
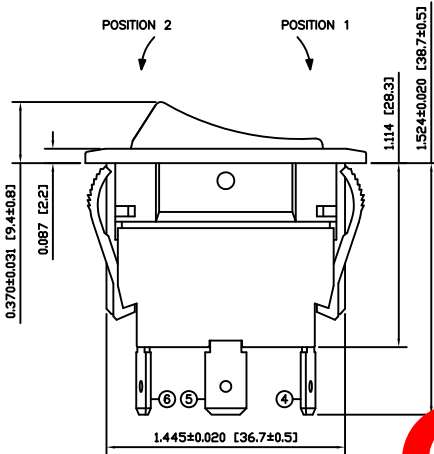
SPECIFICATIONS

- FUNCTION: 2P2T ON-ON
- RATINGS: ANSI/UL 508 and CAN/CSA C22.2 No.14 (E195908): 20A 125VAC [cURus], 15A 277VAC [cURus], 2HP 110/250VAC [cURus]
- CONTACT RESISTANCE: Initial: 10mΩ Max.
- ELECTRICAL LIFE: 6,000 Cycles [cURus]
- TEMPERATURE: Operating: 0°C to 40°C [cURus]
- INGRESS PROTECTION: IP54
- APPROVALS: **RoHS COMPLIANT**

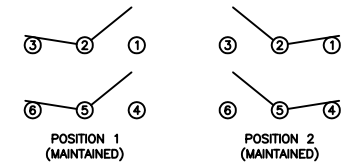
COLORS AND MARKINGS

- BODY COLOR: Black
- ACTUATOR COLOR: Black
- MARKING: None
- MARKING COLOR: None

OBSOLETE
 May 2017
 PCR 22507



SCHEMATIC



ACTUATOR	B	10/05/26	CAB
BODY	B	10/05/26	CAB
COLORS	A	09/06/15	CAB
MATERIALS	C	10/03/01	CAB
SPECIFICATIONS	C	10/03/01	CAB
REFERENCE	REV.	DATE	BY

THE INFORMATION CONTAINED IN THIS DOCUMENT IS PROPRIETARY TO E-SWITCH AND IS NOT TO BE COPIED OR TRANSFERRED

B	CORRECTED SPECIFICATIONS	PCRD0247	09/12/09	CAB
A	INITIAL RELEASE	PCRD0051	09/08/05	CAB
REV.	DESCRIPTION	PCR	DATE	DRAWN BY

DIMENSIONS	INCHES [MILLIMETERS]
GENERAL TOLERANCES	±0.008 [±0.2] / ±1°
SCALE	DRAWING NOT TO SCALE

RVWG4GD1100		
DRAWING NUMBER	DATE	REVISION
34-RVWG4GD1100	DECEMBER 9, 2009	B